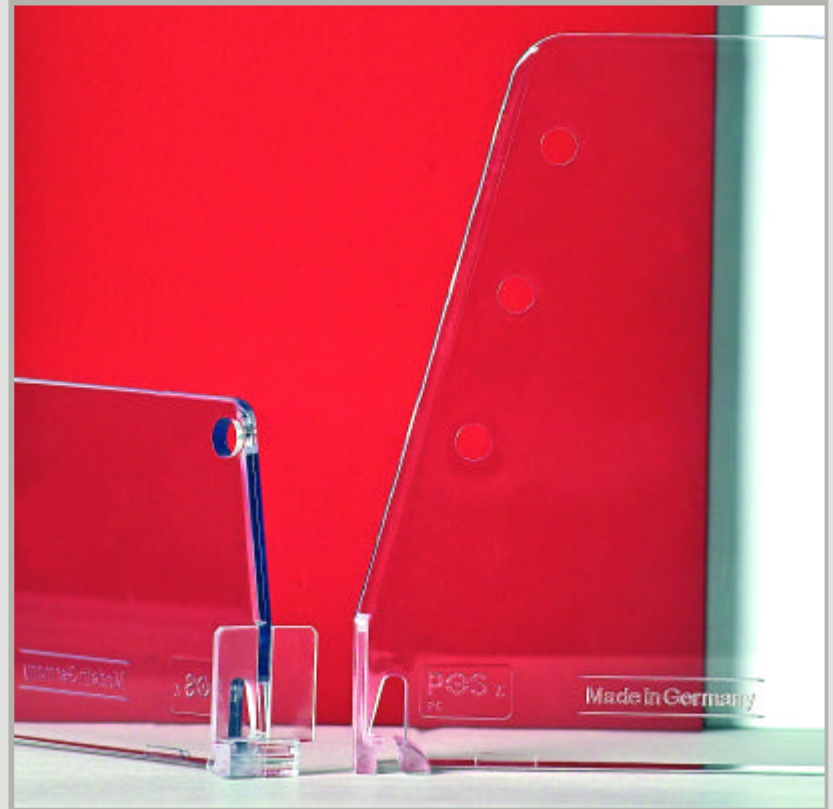


The **POS** ^{T.} - Shelf Management System

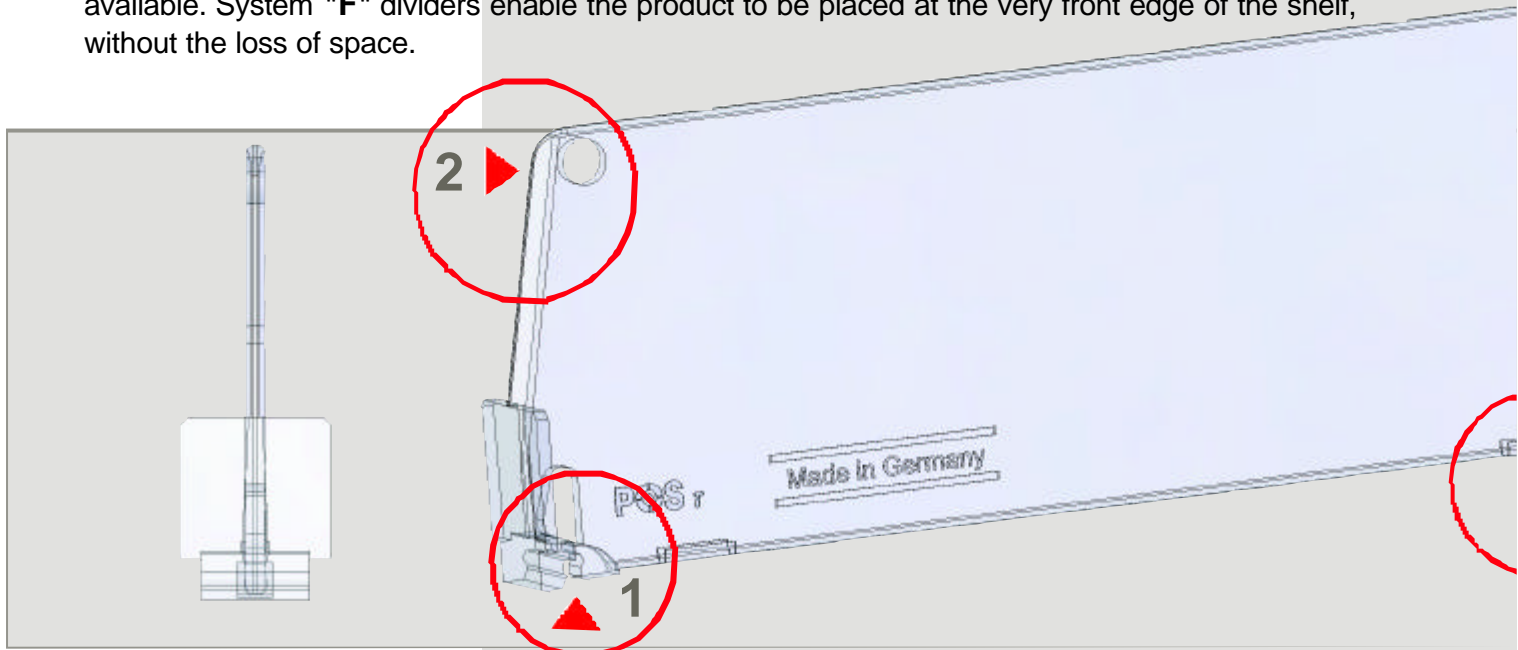


The POS τ - shelf management system with Product Pusher ...

Ingeniously easy to implement and achieve total optimization of product presentation, simultaneously reducing the need for shelf maintenance.

Not just 'only' a plastic divider but a system completely versatile, offering intelligent and sophisticated solution.

Available in heights of 60 mm and 120 mm - lengths of 180mm to 580 mm. Bespoke versions also available. System "F" dividers enable the product to be placed at the very front edge of the shelf, without the loss of space.



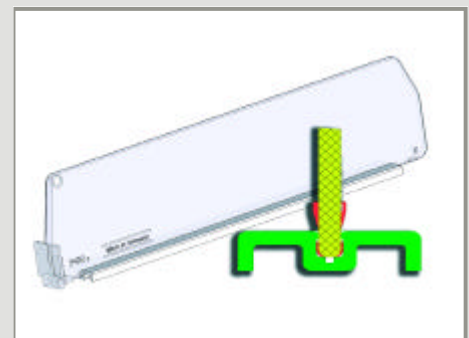
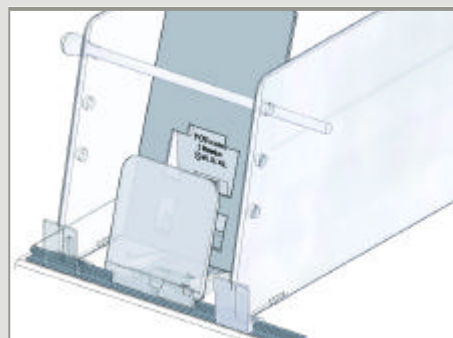
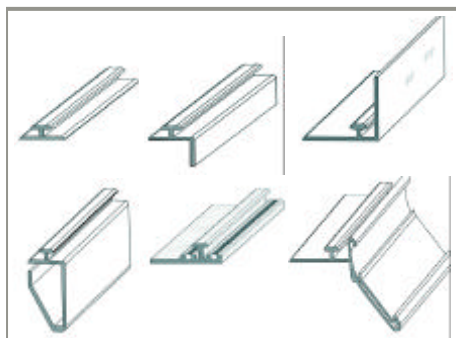
1 A divider for "square-edged" products - without the need for rear fixation.



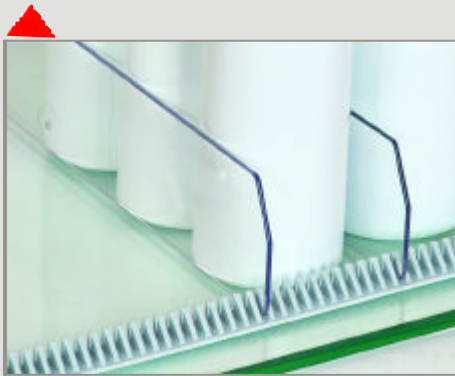
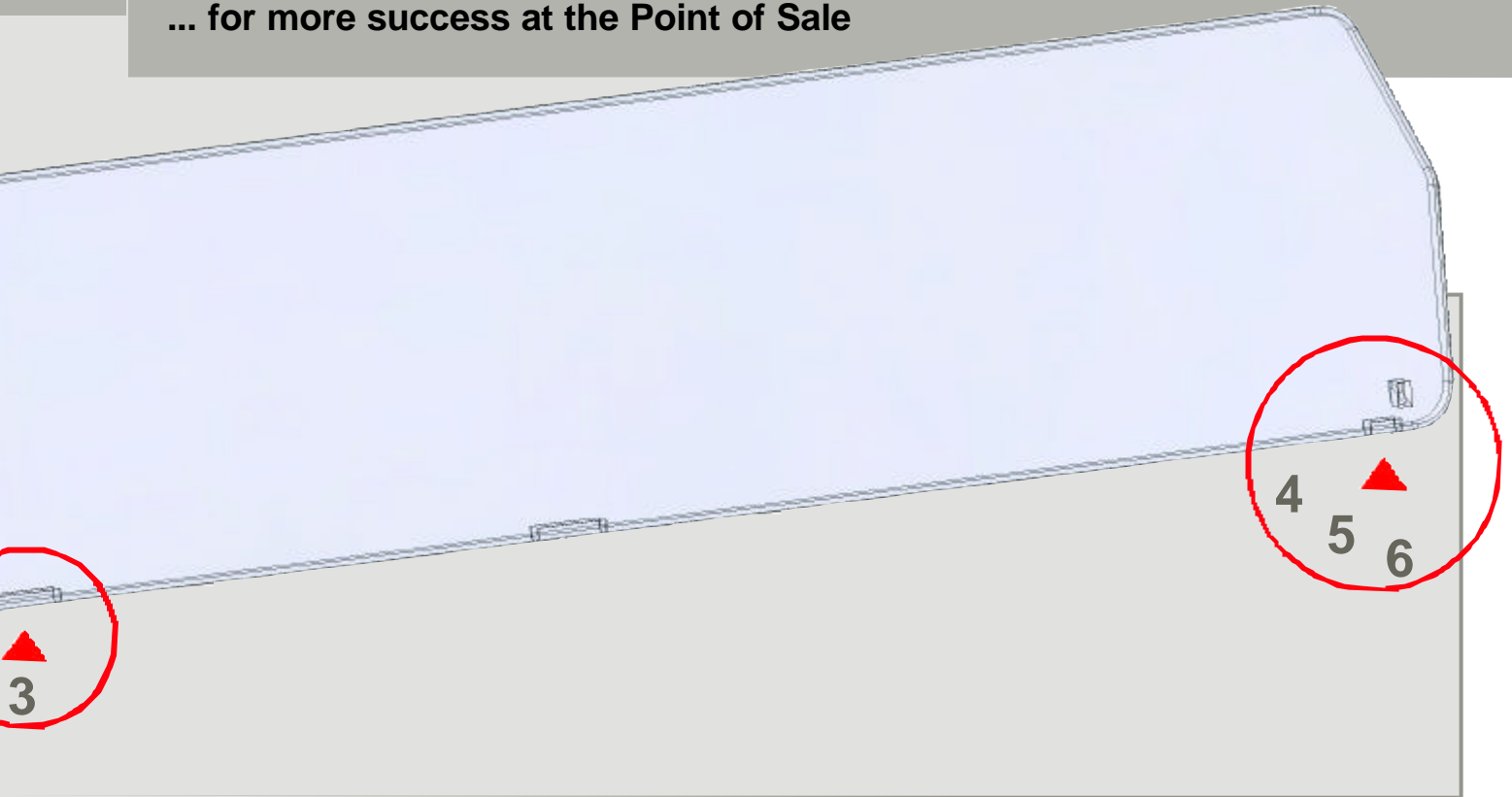
2 A divider - 120 mm height - with holes punched at the front to take a railing for tall or "soft" products, merchandised in a portrait manner.



3 The lower fixing cams form a stable compartment when locking with the guide and stabilizer profile, specifically dividers (e.g. for round products on gravity shelves).



... for more success at the Point of Sale



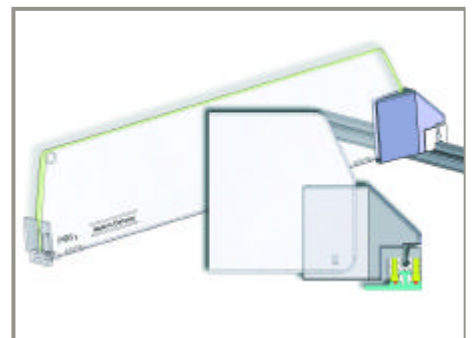
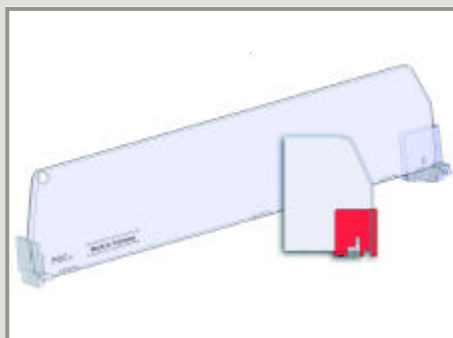
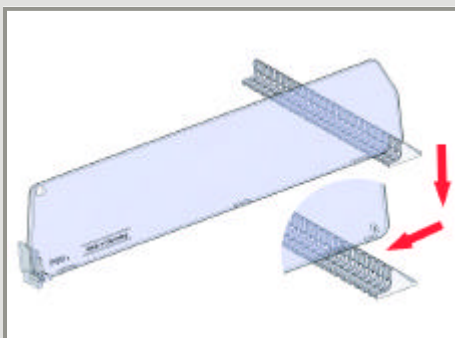
4 The rear locks sit securely in the fixing ledge and make sure, that the installed compartment width remains permanent.



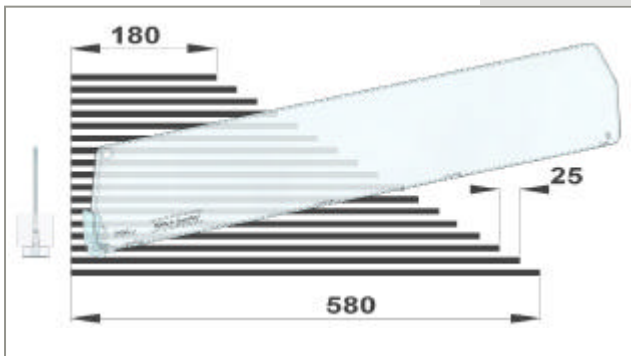
5 Optional divider clamps are available and can be subsequently mounted on the rear side of the divider, together with a second T-rail.



6 The LED unit promotes the use of light ensuring a unique and unequivocal illuminated appearance through the divider. Several light colors are at your choice.

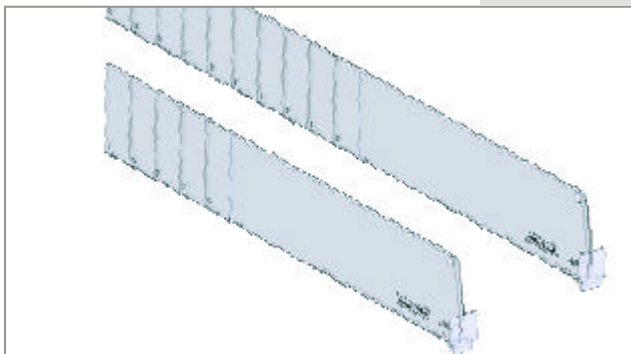


Dimensions and Variations



**POS T-Divider height 60 mm
- System F (Front)**

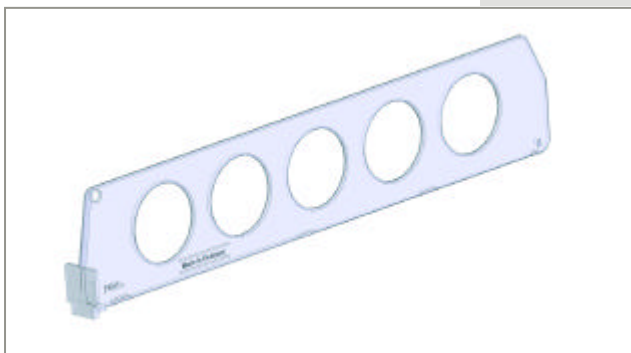
length	art.no.	length	art.no.	length	art.no.
160	d06fs160	305	d06fs305	455	d06fs455
180	d06fs180	330	d06fs330	480	d06fs480
205	d06fs205	355	d06fs355	505	d06fs505
230	d06fs230	380	d06fs380	530	d06fs530
255	d06fs255	405	d06fs405	555	d06fs555
280	d06fs280	430	d06fs430	580	d06fs580



**POS T-Vario Divider height 60 mm
- System F (Front)**

with breakable sections every 25 mm

length	art.no.
255-355	d06vs355
255-480	d06vs480
355-580	d06vs580



POS T-Divider in "Techno" Design, height 60 mm

(non-stock item - determined by volume)

length	art.no.	length	art.no.	length	art.no.
230	d06es230	305	d06es305	355	d06es355
255	d06es255	330	d06es330	380	d06es380
280	d06es280				
Design Vario					
255-355	d06gs355	255-480	d06gs480	355-580	d06gs580

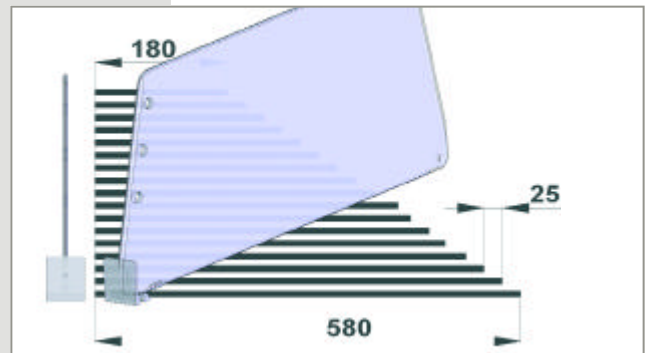
For dimensions, packaging units, accessories and prices please refer to the parts list, under the section 'Dividers'.

Dimensions and Variations



**POS τ - Divider height 120 mm
- System F (Front)**

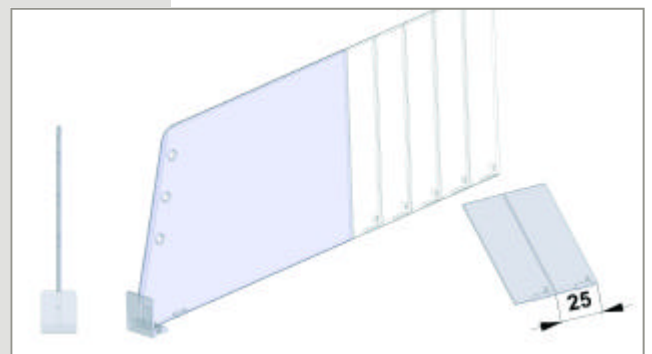
length	art.no.	length	art.no.	length	art.no.
180	d12fc180	330	d12fc330	480	d12fc480
205	d12fc205	355	d12fc355	505	d12fc505
230	d12fc230	380	d12fc380	530	d12fc530
255	d12fc255	405	d12fc405	555	d12fc555
280	d12fc280	430	d12fc430	580	d12fc580
305	d12fc305	455	d12fc455		



**POS τ - Vario Divider height 120 mm
- System F (Front)**

with breakable sections every 25 mm

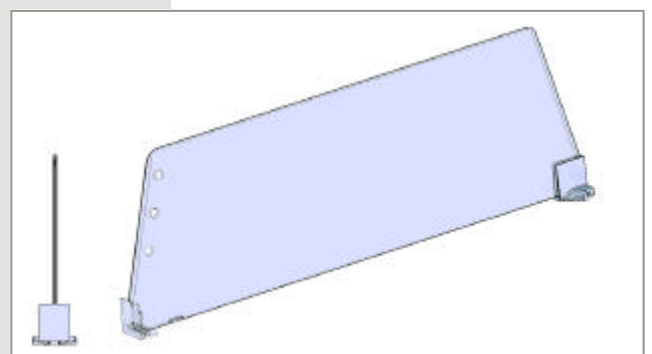
length	art.no.
255-355	d12vc355
255-480	d12vc480
355-580	d12vc580



**POS τ - Divider height 120 mm
- System F (Front)**

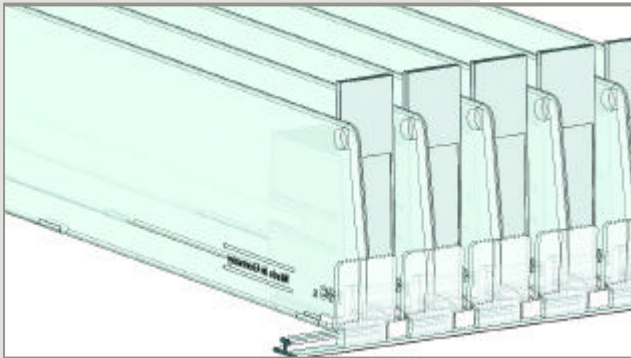
with fixation on both ends

length	art.no.	length	art.no.	length	art.no.
355	d12hc355	455	d12hc455	530	d12hc530
380	d12hc380	480	d12hc480	555	d12hc555
405	d12hc405	505	d12hc505	580	d12hc580
430	d12hc430				



For dimensions, packaging units, accessories and prices please refer to the parts list, under the section 'Dividers'.

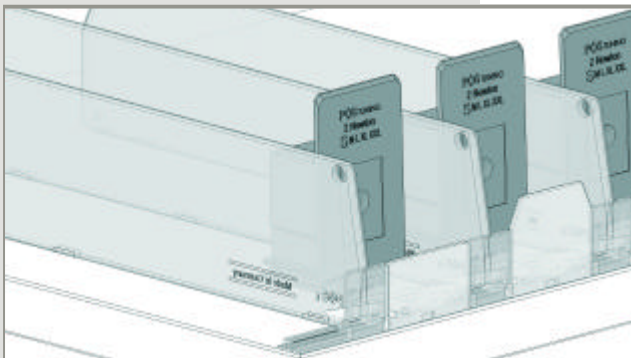
All Purpose (Optional Solutions Available)



Dividers in combination with POS τ Pusher Type "Mini W 19 mm"

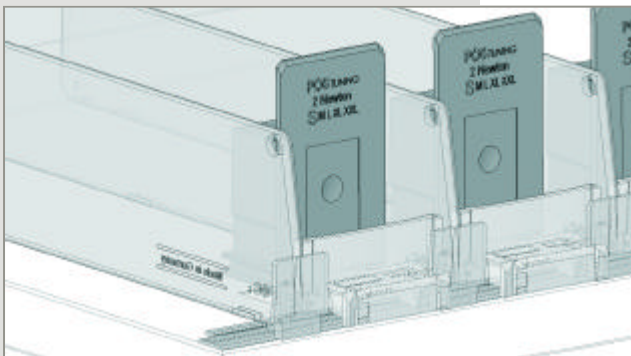
For minimum compartment widths of 17 mm i.e. cosmetic products.

All information concerning this product range is available in the parts list "Pusher System Mini"



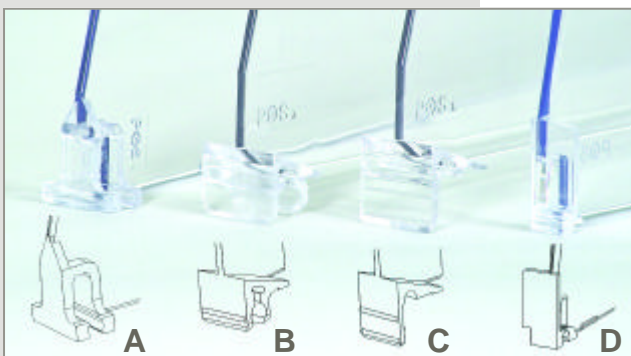
Dividers in combination with POS τ Pusher "System F"

All information concerning this product range are available in the parts list "Pusher System F"



Dividers in combination with POS τ Pusher "System T"

All information concerning this product range are available in the parts list "Pusher System T"



Dividers with customized front clamps, according to customers specification

For example:

- A Typically "embracing" T-clip for T-rails
- B Wire clip for connection with wire mesh shelves
- C For insertion in U-profiles on shelf fronts
- D All front fixations now available as a right/left hand version



"Bespoke" dividers produced in individual colors'

- in accordance to customer CI (Customer Identity)

All Purpose (Optional Solutions Available)

Design “Magic” - with LED-dividers

POS T- dividers with LED Lighting provide considerable visual impact to your range of products and promotions by illuminating the edges of the divider front profile.

No additional installation requirements - the power supply is provided by connecting a special divider clamp with the Adapter T-rail.



The U-Channel Pusher

for an optimum presentation of round or unstable products, customized to the product size and shelf dimensions



The "Shelf Tray" for entire product categories

tailored to size, according to product and shelf measurements



For more information please refer to the brochure “BrandServer”.

The "Gravity Feed" server

A slightly inclined and extremely smooth surface ensures gravity, supports the sliding process of products towards the front of the shelf.



Consequent shelf organization

Sophisticated shelf trays for almost every product - Please refer to example -

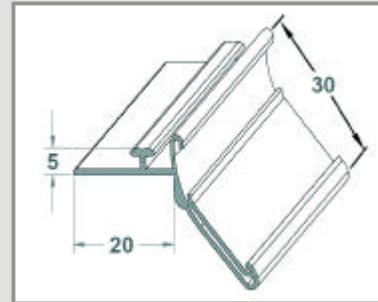


Price Data Stripes

Price Rail design type 12

20 mm width, with price rail H 30 mm, self-adhesive

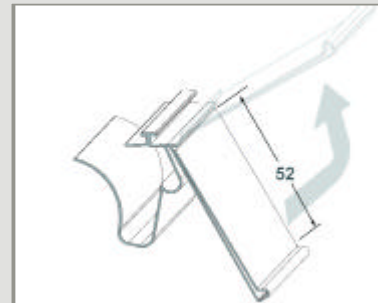
length	height	art.no.	length	height	art.no.
598	30	a12s0598	998	30	a12s0998
648	30	a12s0648	1.245	30	a12s1245
660	30	a12s0660	1.328	30	a12s1328
898	30	a12s0898	special length on request		



Price Rail design type 16

customized color, with click-on fixation, suitable e.g. for "KIND" shelving system, price rail H 53 mm, with hinges and pivoting

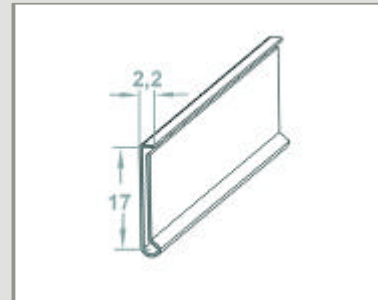
length	height	art.no.	length	height	art.no.
53		a16x....	length on request		



Price Rail design type 01

plain, transparent, self-adhesive

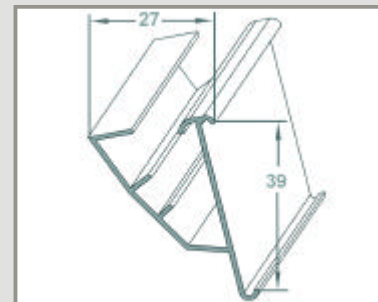
length	height	art.no.	length	height	art.no.
996	17	s01s0996	995	30	s04s0995
996	20	s02s0996	special length on request		



Price Rail design type 10

3 x adjustable angles, color RAL 7035

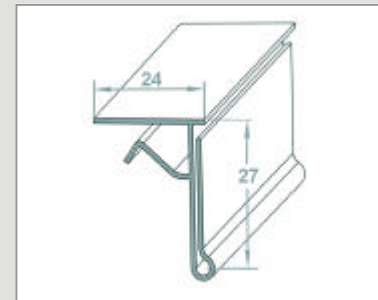
length	height	art.no.	length	height	art.no.
588	39	s10x0588	988	39	s10x0988
638	39	s10x0638	1.238	39	s10x1238
888	39	s10x0888	1.328	39	s10x1328
special length on request					



Price Rail design type 30

for glass shelves

length	height	art.no.	length	height	art.no.
998	27	s30x0998	special length on request		
998	40	s31x0998	special length on request		



For further price rails, dimensions, article codes and prices please refer to parts list "Price Rails".